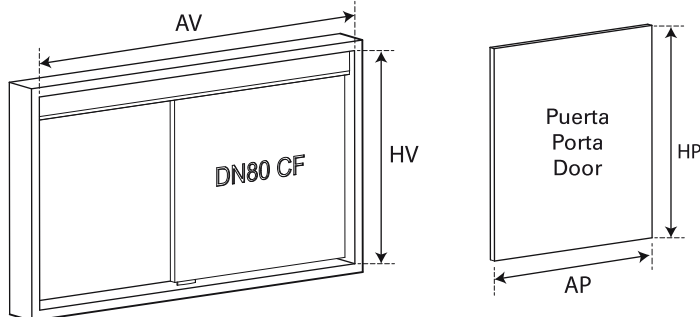


# DN80 CF

Madera / Madeira / Wood

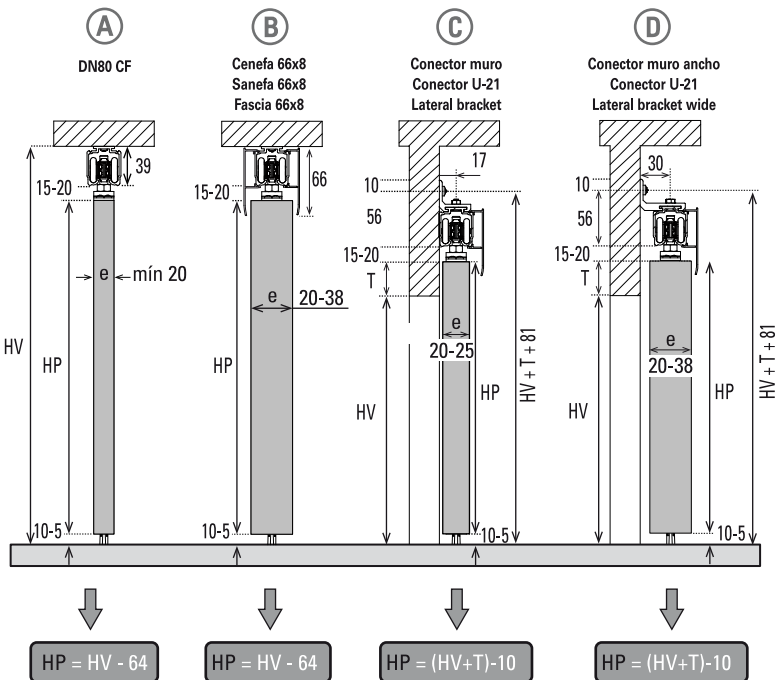
<b>1x (50-80kg)</b> 110-176lbs	<b>1</b> Una puerta Uma porta One door	<b>mín 20</b> min 13/16"	<b>mín 500</b> Ancho mínimo Largura mínima Minimum width	<b>34</b> 39	<b>Riel U21</b> Trilho U21 Track U21 ST	<b>Cenefa 66x8</b> Sanefa 66x8 Fascia U21
Peso puerta Peso porta Door weight	Una puerta Uma porta One door	Espesor Madera Espessura Madeira Wood Thickness	Ancho mínimo Largura mínima Minimum width		Riel U21 Trilho U21 Track U21 ST	Cenefa 66x8 Sanefa 66x8 Fascia U21



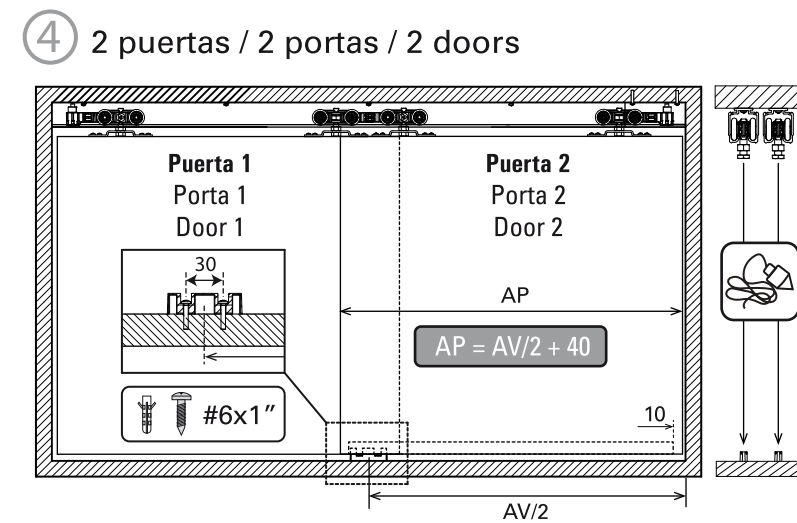
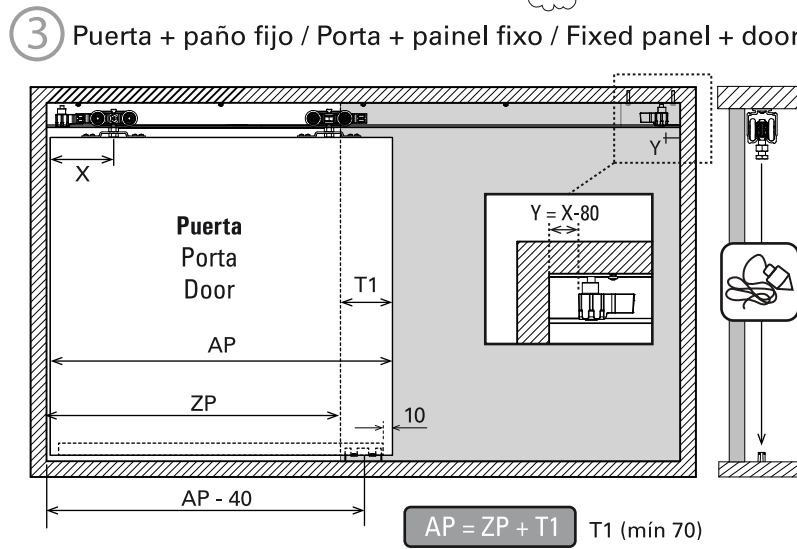
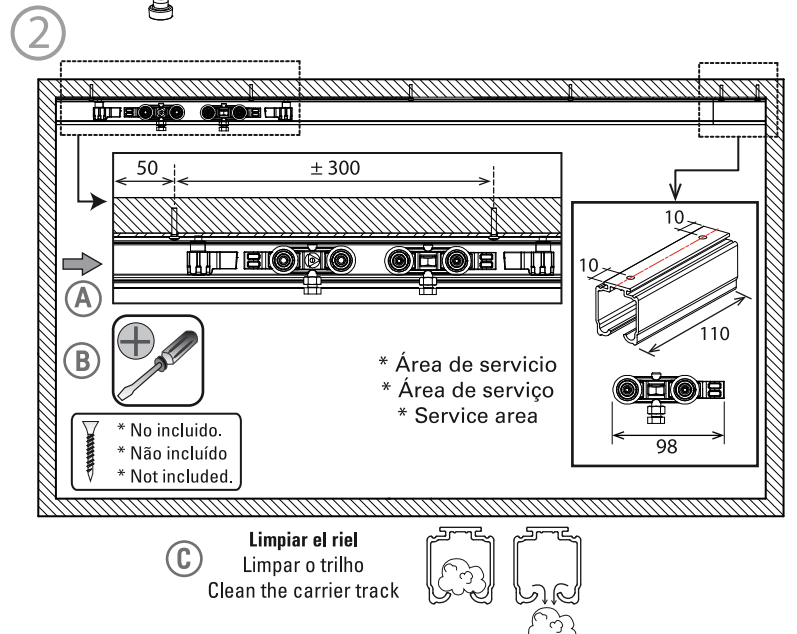
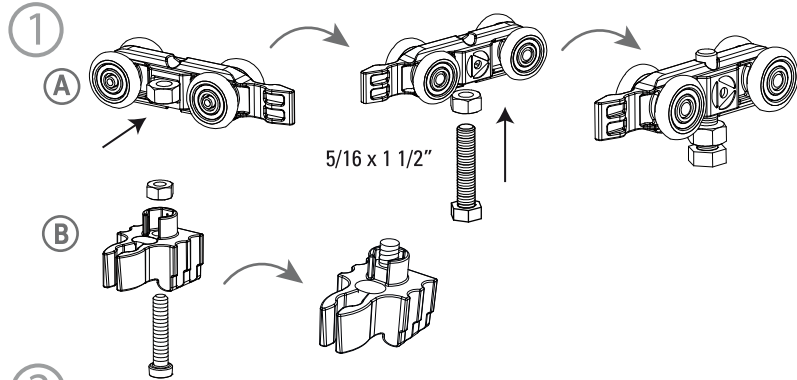
**DN80 CF**

- x2 Roller assembly
- x2 Bracket
- x2 Screw
- x2 Washer
- x1 Bracket
- x2 Screw A (#8x1")
- x2 Screw B (#6x1")

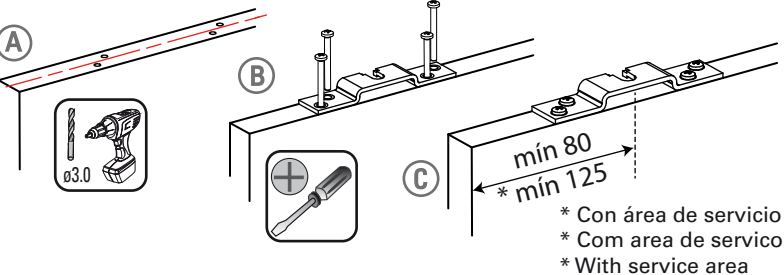
Tools: Screwdriver, Drill (Ø3.0), Wrench (N°13), Cable ties.



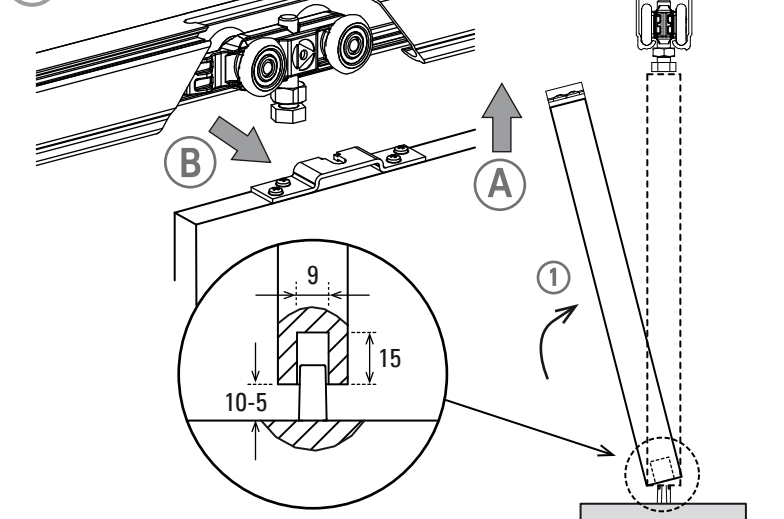
mm	Decimal inches	Aprox Fraction	mm	Decimal inches	Aprox Fraction
1	0.0394	3/64	6	0.2362	15/64
2	0.0787	5/64	7	0.2756	9/32
3	0.1181	1/8	8	0.3150	5/16
4	0.1575	5/32	9	0.3543	23/64
5	0.1969	13/64	10	0.3937	25/64



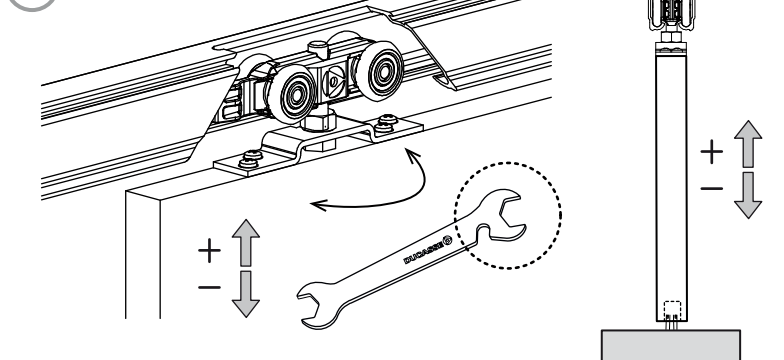
5



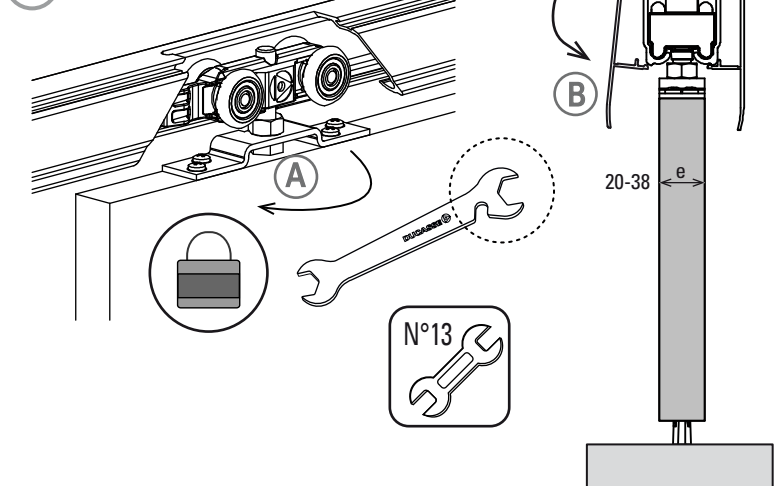
6



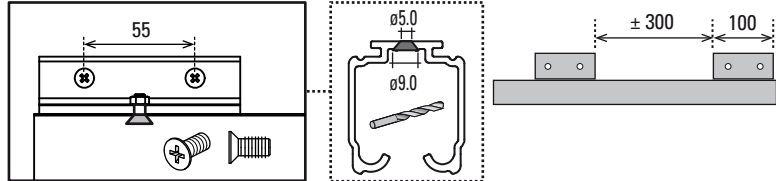
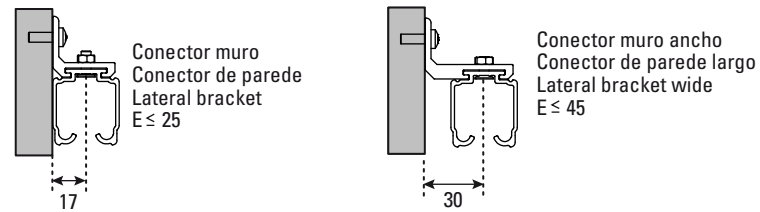
7



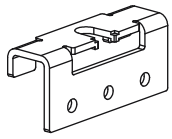
8



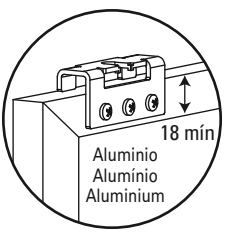
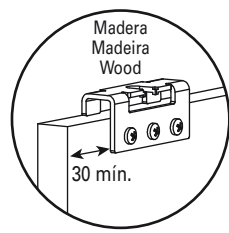
### \* ACCESORIOS / ACESSÓRIOS / ACCESSORIES



Instrucciones de instalación en [www.ducasseindustrial.com](http://www.ducasseindustrial.com)  
 Instruções de instalação em [www.ducasseindustrial.com](http://www.ducasseindustrial.com)  
 Installation instruction in [www.ducasseindustrial.com](http://www.ducasseindustrial.com)



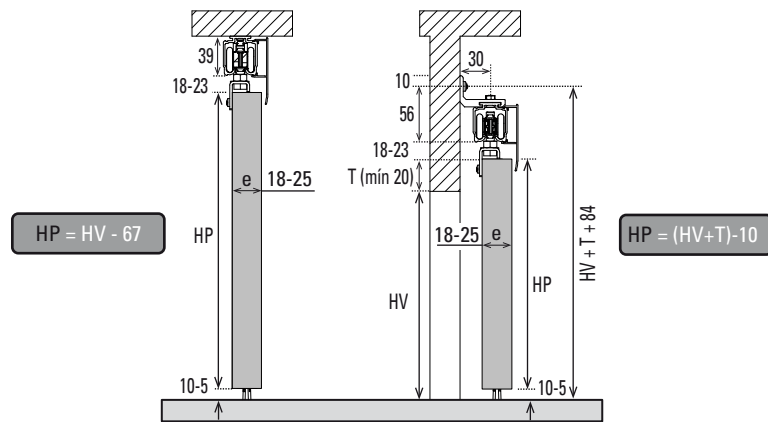
Pletina lateral DN50/80  
 Pletina lateral DN50/80  
 Lateral door bracket DN50/80



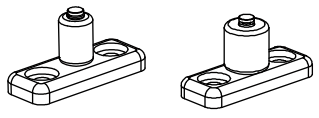
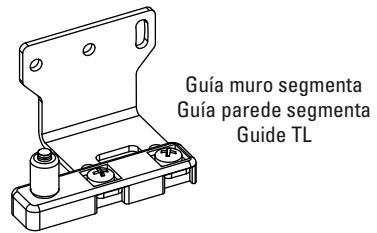
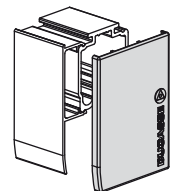
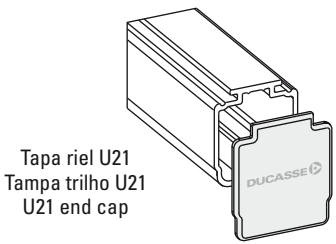
E Cenefa 66x8  
 Sanefa 66x8  
 Fascia U21 66x8

Conector muro ancho / Cenefa 66x8  
 Conector U-21 / Sanefa 66x8  
 Lateral bracket wide / Fascia 66x8

F



AP depende de la instalación  
 AP depende da instalação  
 AP depending on installation



[www.ducasseindustrial.com](http://www.ducasseindustrial.com)

LINEA  
**SEGMENTA**